

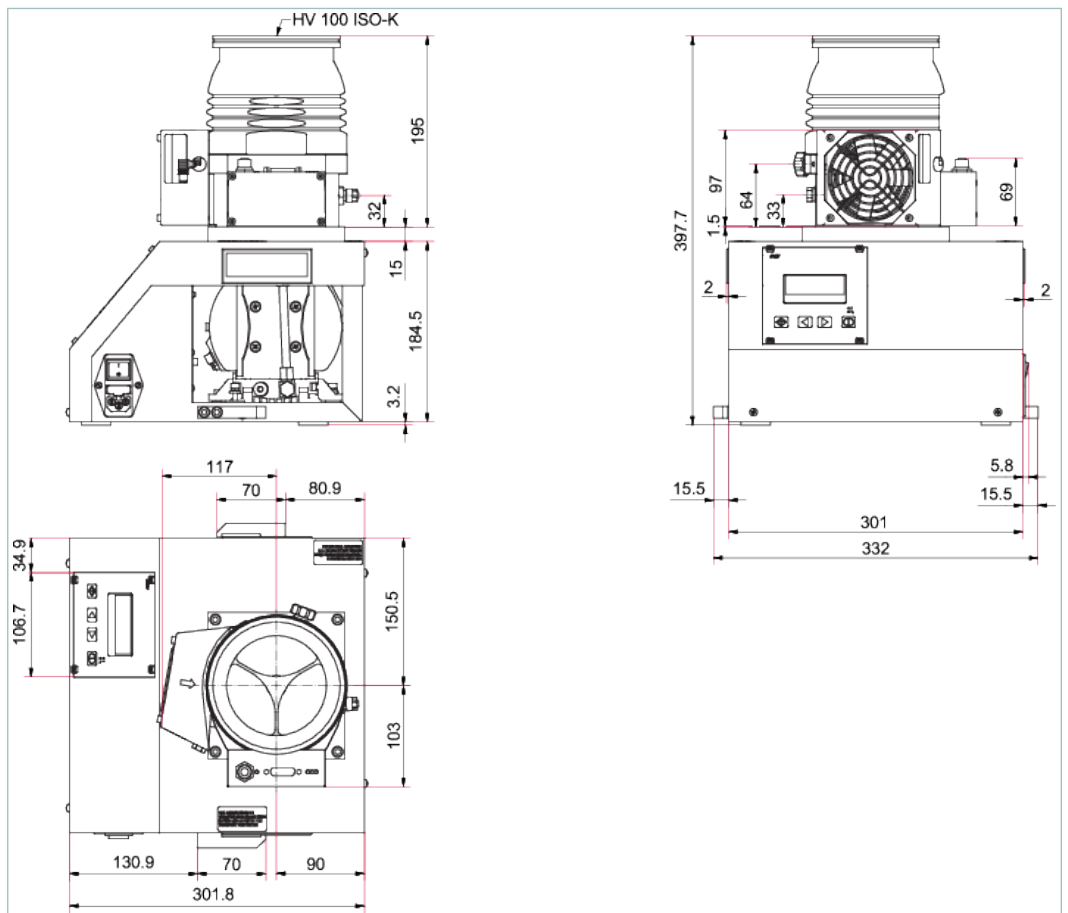


Similar Image

## HiCube 300 Eco, DN 100 ISO-K, MVP 015-2, 100-240

- Compact high performance pumping station for all high and ultrahigh vacuum applications
- Plug and play solution with HiPace 300 turbopump and multistage diaphragm pump MVP 015-2
- Intermittent mode adapts the pumping station to the process conditions and saves up to 90% energy
- Easy integration of pressure gauges from the accessories

### Dimensions



Technical Data	HiCube 300 Eco, DN 100 ISO-K, MVP 015-2, 100-240
Backing pump	MVP 015-2
Cooling method, standard	Air
Flange (in)	DN 100 ISO-K
Flange (out)	Silencer, G1/8
Mains requirement: frequency (range)	50/60 Hz
Mains requirement: voltage	100-240 V
Pumping speed backing pump at 50 Hz	1 m <sup>3</sup> /h
Pumping speed for N <sub>2</sub>	260 l/s
Turbopump	HiPace 300
Type	Turbo pumping station
Ultimate pressure	< 1 · 10 <sup>-7</sup> hPa   < 7.5 · 10 <sup>-8</sup> Torr   < 1 · 10 <sup>-7</sup> mbar
Weight	15.9 kg   35.05 lb

**Order number**

HiCube 300 Eco

**PM S76 100 00**

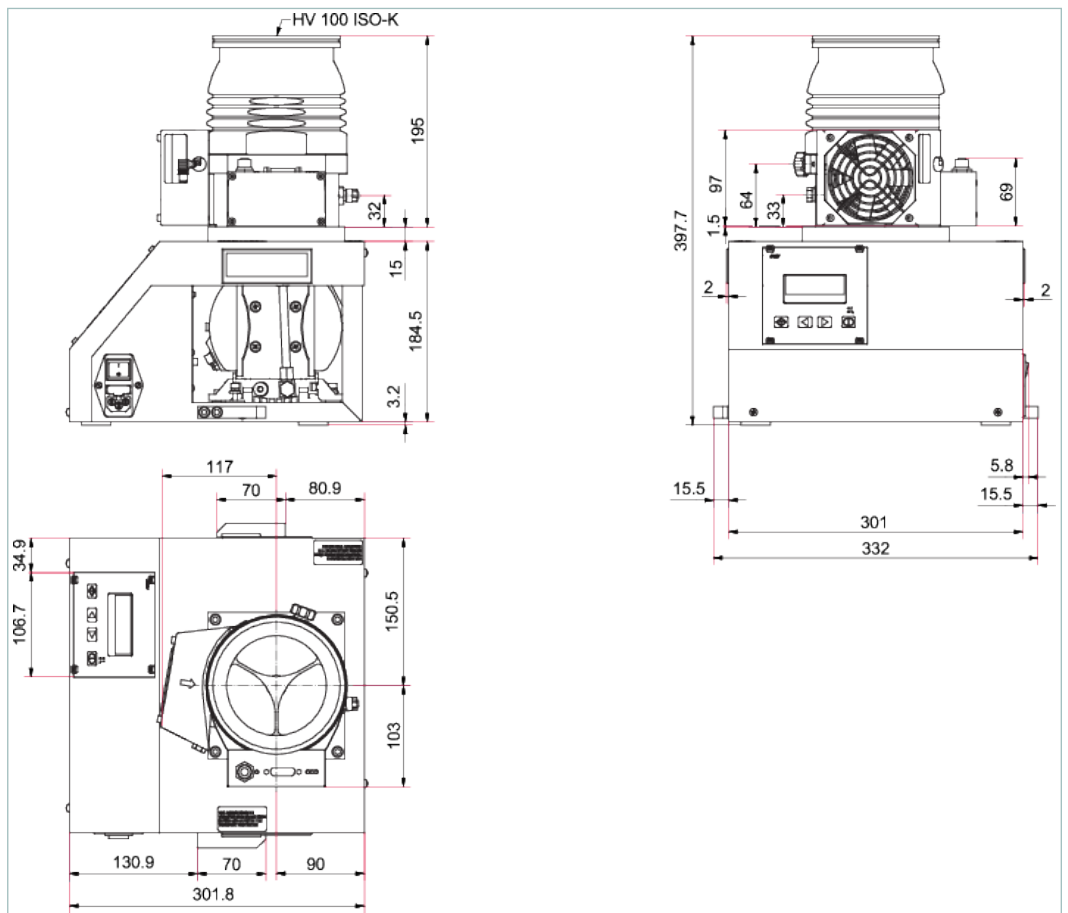


Similar Image

## HiCube 300 Eco, DN 100 ISO-K, MVP 015-4, 100-240

- Compact high performance pumping station for all high and ultrahigh vacuum applications
- Plug and play solution with HiPace 300 turbopump and multistage diaphragm pump MVP 015-4
- Intermittent mode adapts the pumping station to the process conditions and saves up to 90% energy
- Easy integration of pressure gauges from the accessories

### Dimensions



Technical Data	HiCube 300 Eco, DN 100 ISO-K, MVP 015-4, 100-240
Backing pump	MVP 015-4
Cooling method, standard	Air
Flange (in)	DN 100 ISO-K
Flange (out)	Silencer, G1/8
Mains requirement: frequency (range)	50/60 Hz
Mains requirement: voltage	100-240 V
Pumping speed backing pump at 50 Hz	0.75 m <sup>3</sup> /h
Pumping speed for N <sub>2</sub>	260 l/s
Turbopump	HiPace 300
Type	Turbo pumping station
Ultimate pressure	< 1 · 10 <sup>-7</sup> hPa   < 7.5 · 10 <sup>-8</sup> Torr   < 1 · 10 <sup>-7</sup> mbar
Weight	17.6 kg   38.8 lb

<b>Order number</b>	
HiCube 300 Eco	<b>PM S76 150 00</b>

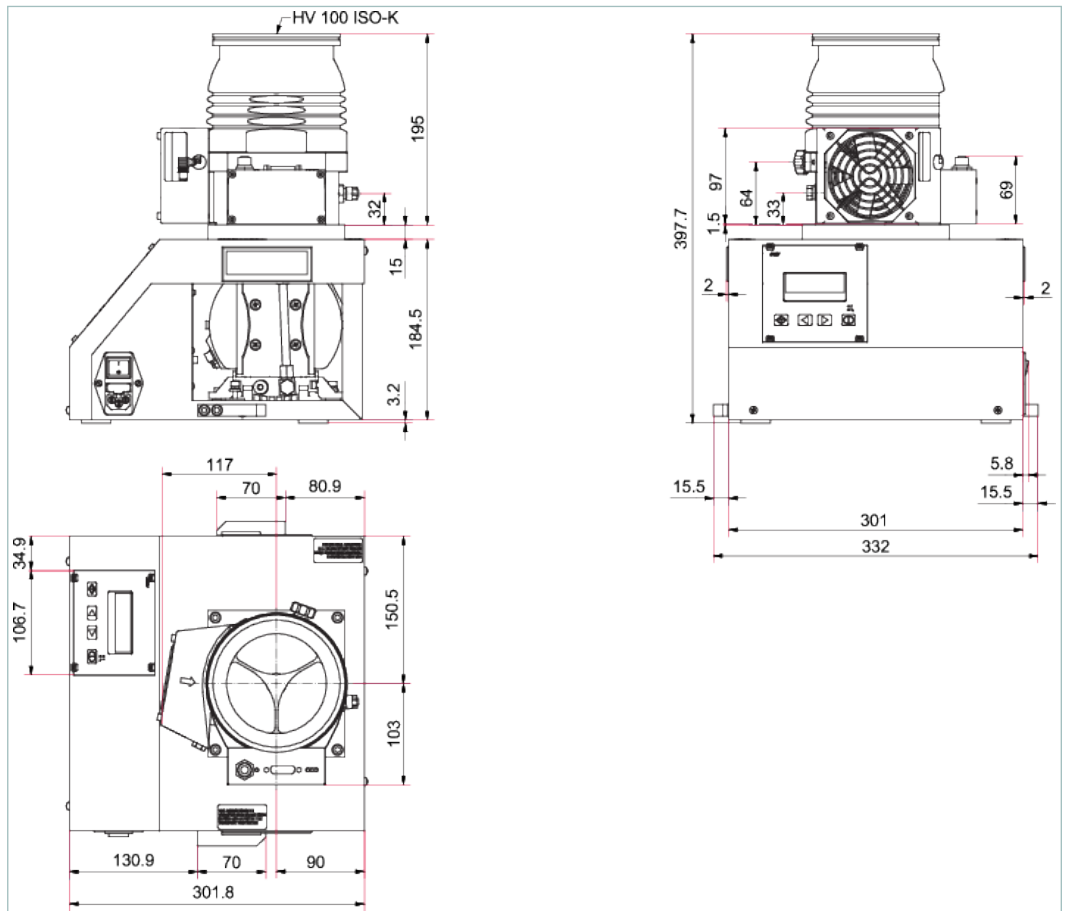


Similar Image

## HiCube 300 Eco, DN 100 ISO-K, MVP 030-3, 100-240

- Compact high performance pumping station for all high and ultrahigh vacuum applications
- Plug and play solution with HiPace 300 turbopump and multistage diaphragm pump MVP 030-3
- Intermittent mode adapts the pumping station to the process conditions and saves up to 90% energy
- Easy integration of pressure gauges from the accessories

### Dimensions



### Technical Data

### HiCube 300 Eco, DN 100 ISO-K, MVP 030-3, 100-240

Backing pump	MVP 030-3
Cooling method, standard	Air
Flange (in)	DN 100 ISO-K
Flange (out)	Silencer, G1/8
Mains requirement: frequency (range)	50/60 Hz
Mains requirement: voltage	100-240 V
Pumping speed backing pump at 50 Hz	1.8 m <sup>3</sup> /h
Pumping speed for N <sub>2</sub>	260 l/s
Turbopump	HiPace 300
Type	Turbo pumping station
Ultimate pressure	< 1 · 10 <sup>-7</sup> hPa   < 7.5 · 10 <sup>-8</sup> Torr   < 1 · 10 <sup>-7</sup> mbar
Weight	17.5 kg   38.58 lb

**Order number**

HiCube 300 Eco

**PM S76 200 00**