

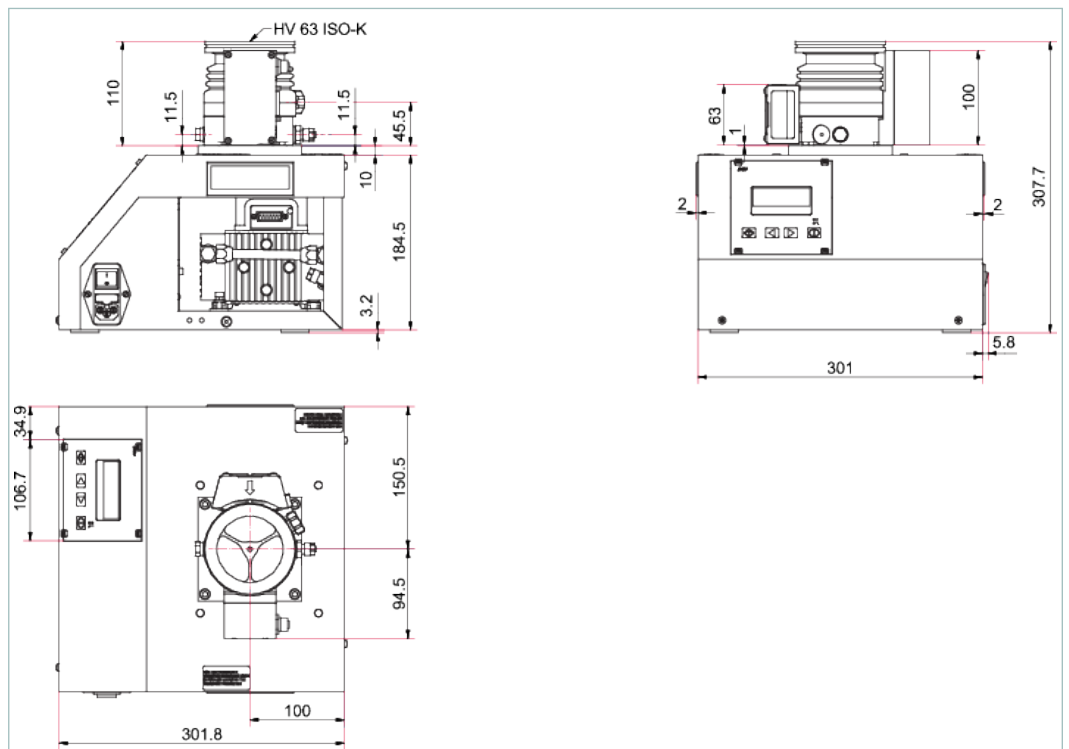


Similar Image

HiCube 80 Eco, DN 63 ISO-K, MVP 015-2, 100-240

- Compact high performance pumping station for all high and ultrahigh vacuum applications
- Plug and play solution with HiPace 80 turbopump and multistage diaphragm pump MVP 015-2
- Intermittent mode adapts the pumping station to the process conditions and saves up to 90% energy
- Easy integration of pressure gauges from the accessories

Dimensions



Technical Data	HiCube 80 Eco, DN 63 ISO-K, MVP 015-2, 100-240
Backing pump	MVP 015-2
Cooling method, standard	Air
Flange (in)	DN 63 ISO-K
Flange (out)	Silencer, G1/8
Mains requirement: frequency (range)	50/60 Hz
Mains requirement: voltage	100-240 V
Pumping speed backing pump at 50 Hz	1 m ³ /h
Pumping speed for N ₂	67 l/s
Turbopump	HiPace 80
Type	Turbo pumping station
Ultimate pressure	< 1 · 10 ⁻⁷ hPa < 7.5 · 10 ⁻⁸ Torr < 1 · 10 ⁻⁷ mbar
Weight	12.1 kg 26.68 lb
Order number	
HiCube 80 Eco	PM S74 100 00

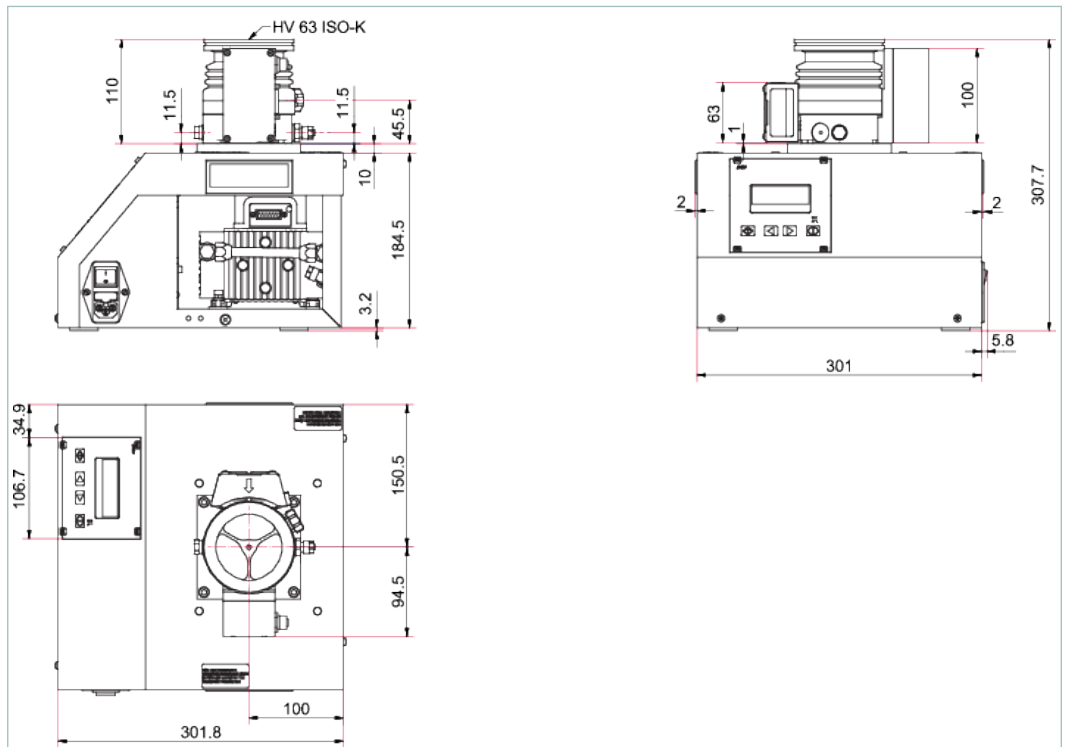


Similar Image

HiCube 80 Eco, DN 63 ISO-K, MVP 015-4, 100-240

- Compact high performance pumping station for all high and ultrahigh vacuum applications
- Plug and play solution with HiPace 80 turbopump and multistage diaphragm pump MVP 015-4
- Intermittent mode adapts the pumping station to the process conditions and saves up to 90% energy
- Easy integration of pressure gauges from the accessories

Dimensions



Technical Data	HiCube 80 Eco, DN 63 ISO-K, MVP 015-4, 100-240
Backing pump	MVP 015-4
Cooling method, standard	Air
Flange (in)	DN 63 ISO-K
Flange (out)	Silencer, G1/8
Mains requirement: frequency (range)	50/60 Hz
Mains requirement: voltage	100-240 V
Pumping speed backing pump at 50 Hz	0.75 m ³ /h
Pumping speed for N ₂	67 l/s
Turbopump	HiPace 80
Type	Turbo pumping station
Ultimate pressure	< 1 · 10 ⁻⁷ hPa < 7.5 · 10 ⁻⁸ Torr < 1 · 10 ⁻⁷ mbar
Weight	13.8 kg 30.42 lb
Order number	
HiCube 80 Eco	PM S74 150 00

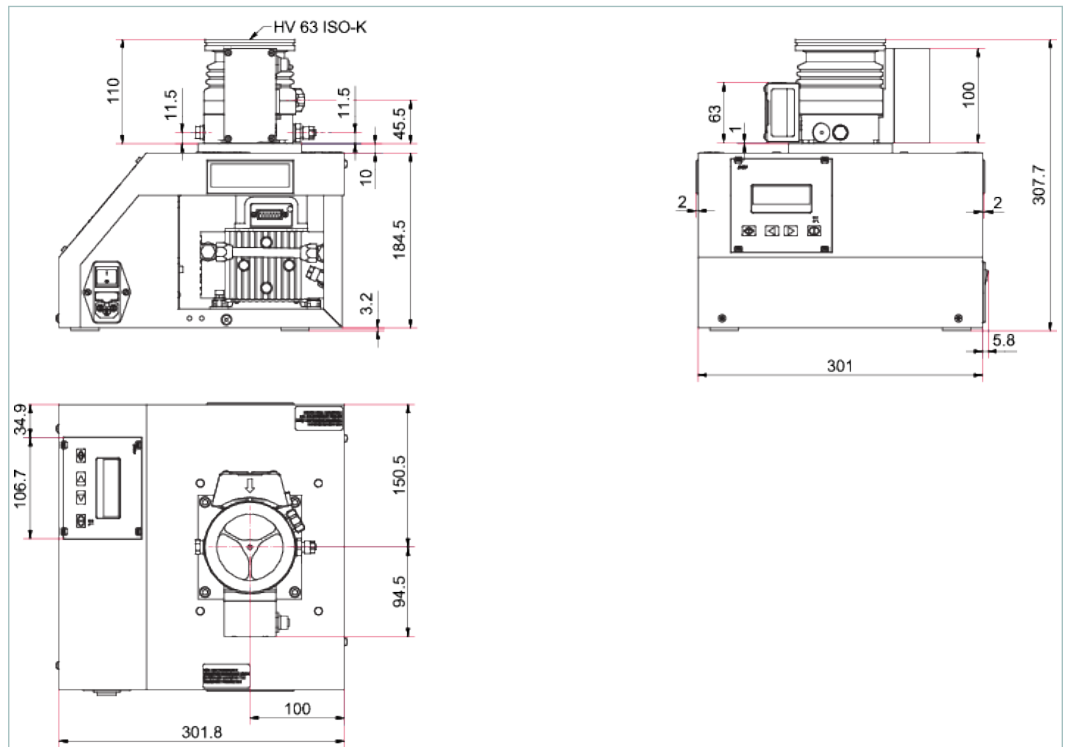


Similar Image

HiCube 80 Eco, DN 63 ISO-K, MVP 030-3, 100-240

- Compact high performance pumping station for all high and ultrahigh vacuum applications
- Plug and play solution with HiPace 80 turbopump and multistage diaphragm pump MVP 030-3
- Intermittent mode adapts the pumping station to the process conditions and saves up to 90% energy
- Easy integration of pressure gauges from the accessories

Dimensions



Technical Data	HiCube 80 Eco, DN 63 ISO-K, MVP 030-3, 100-240
Backing pump	MVP 030-3
Cooling method, standard	Air
Flange (in)	DN 63 ISO-K
Flange (out)	Silencer, G1/8
Mains requirement: frequency (range)	50/60 Hz
Mains requirement: voltage	100-240 V
Pumping speed backing pump at 50 Hz	1.8 m ³ /h
Pumping speed for N ₂	67 l/s
Turbopump	HiPace 80
Type	Turbo pumping station
Ultimate pressure	< 1 · 10 ⁻⁷ hPa < 7.5 · 10 ⁻⁸ Torr < 1 · 10 ⁻⁷ mbar
Weight	13.7 kg 30.2 lb
Order number	
HiCube 80 Eco	PM S74 200 00