

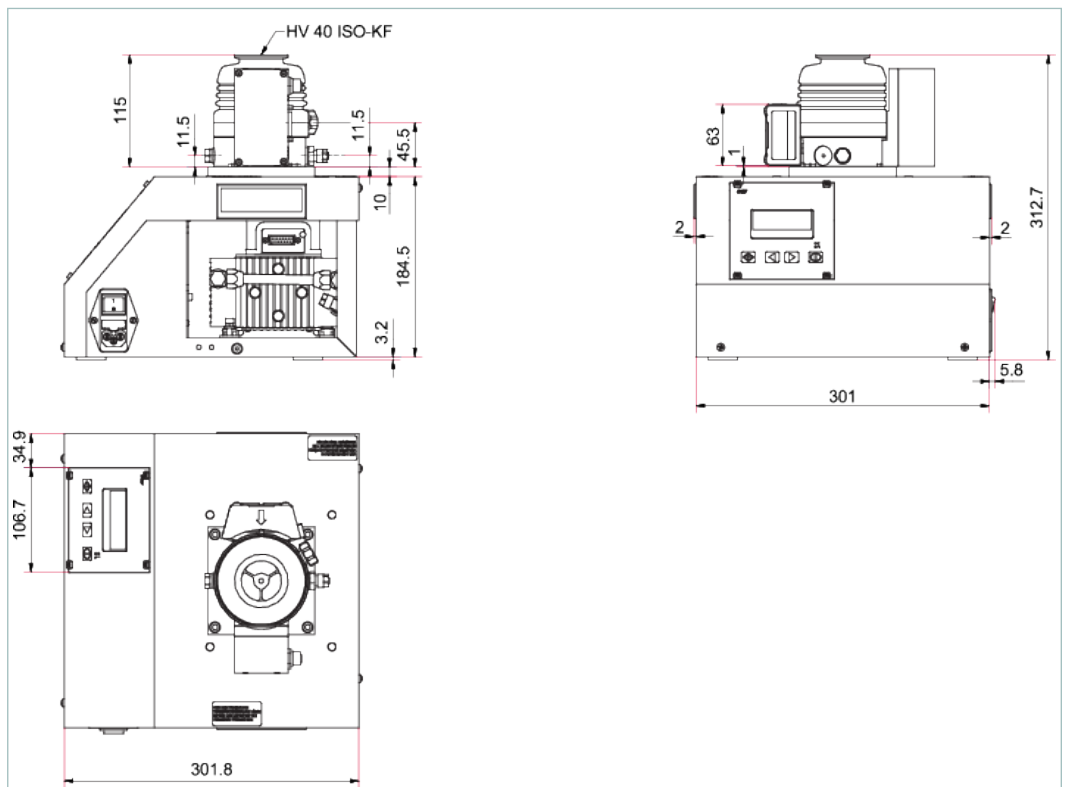


Similar Image

## HiCube 30 Eco, DN 40 ISO-KF, MVP 015-2, 100-240

- Compact high performance pumping station for all high and ultrahigh vacuum applications
- Plug and play solution with HiPace 30 turbopump and multistage diaphragm pump MVP 015-2
- Intermittent mode adapts the pumping station to the process conditions and saves up to 90% energy
- Easy integration of pressure gauges from the accessories

### Dimensions



Technical Data	HiCube 30 Eco, DN 40 ISO-KF, MVP 015-2, 100-240
Backing pump	MVP 015-2
Cooling method, standard	Air
Flange (in)	DN 40 ISO-KF
Flange (out)	Silencer, G1/8
Mains requirement: frequency (range)	50/60 Hz
Mains requirement: voltage	100-240 V
Pumping speed backing pump at 50 Hz	1 m <sup>3</sup> /h
Pumping speed for N <sub>2</sub>	22 l/s
Turbopump	HiPace 30
Type	Turbo pumping station
Ultimate pressure	< 1 · 10 <sup>-7</sup> hPa   < 7.5 · 10 <sup>-8</sup> Torr   < 1 · 10 <sup>-7</sup> mbar
Weight	11.7 kg   25.79 lb

Order number	
HiCube 30 Eco	PM S70 100 00

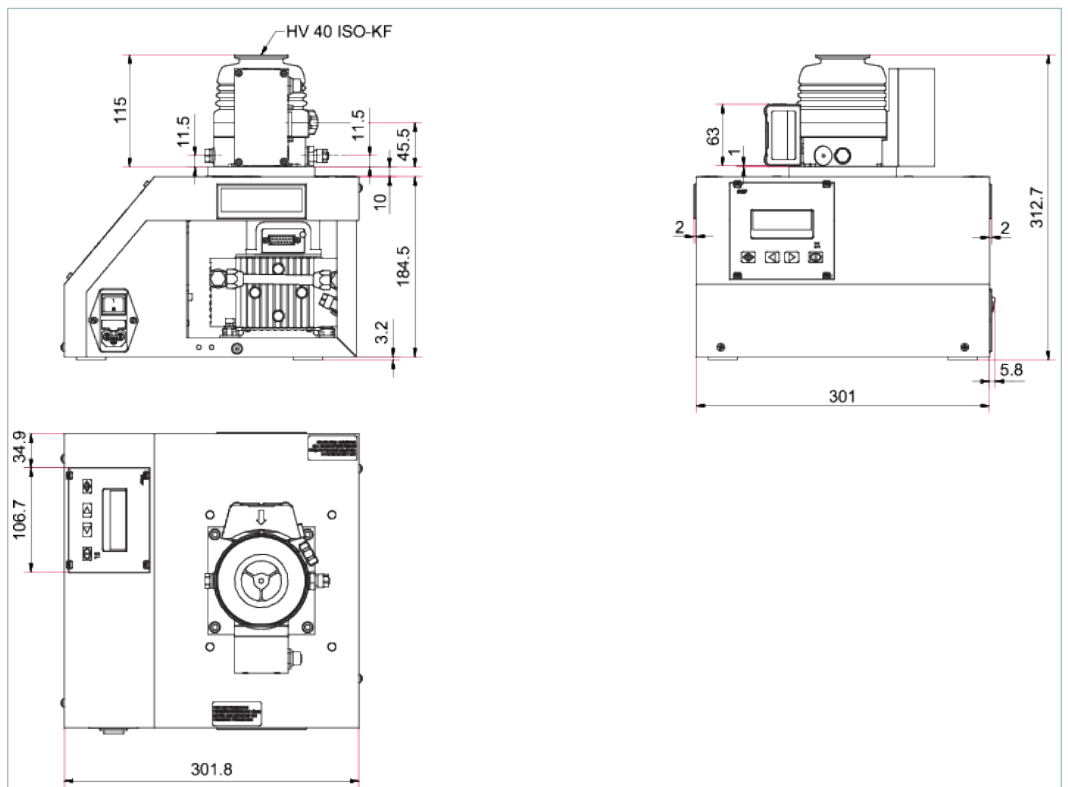


Similar Image

## HiCube 30 Eco, DN 40 ISO-KF, MVP 015-4, 100-240

- Compact high performance pumping station for all high and ultrahigh vacuum applications
- Plug and play solution with HiPace 30 turbopump and multistage diaphragm pump MVP 015-4
- Intermittent mode adapts the pumping station to the process conditions and saves up to 90% energy
- Easy integration of pressure gauges from the accessories

### Dimensions



Technical Data	HiCube 30 Eco, DN 40 ISO-KF, MVP 015-4, 100-240
Backing pump	MVP 015-4
Cooling method, standard	Air
Flange (in)	DN 40 ISO-KF
Flange (out)	Silencer, G1/8
Mains requirement: frequency (range)	50/60 Hz
Mains requirement: voltage	100-240 V
Pumping speed backing pump at 50 Hz	0.75 m <sup>3</sup> /h
Pumping speed for N <sub>2</sub>	22 l/s
Turbopump	HiPace 30
Type	Turbo pumping station
Ultimate pressure	< 1 · 10 <sup>-7</sup> hPa   < 7.5 · 10 <sup>-8</sup> Torr   < 1 · 10 <sup>-7</sup> mbar
Weight	13.4 kg   29.54 lb

Order number	
HiCube 30 Eco	PM S70 150 00

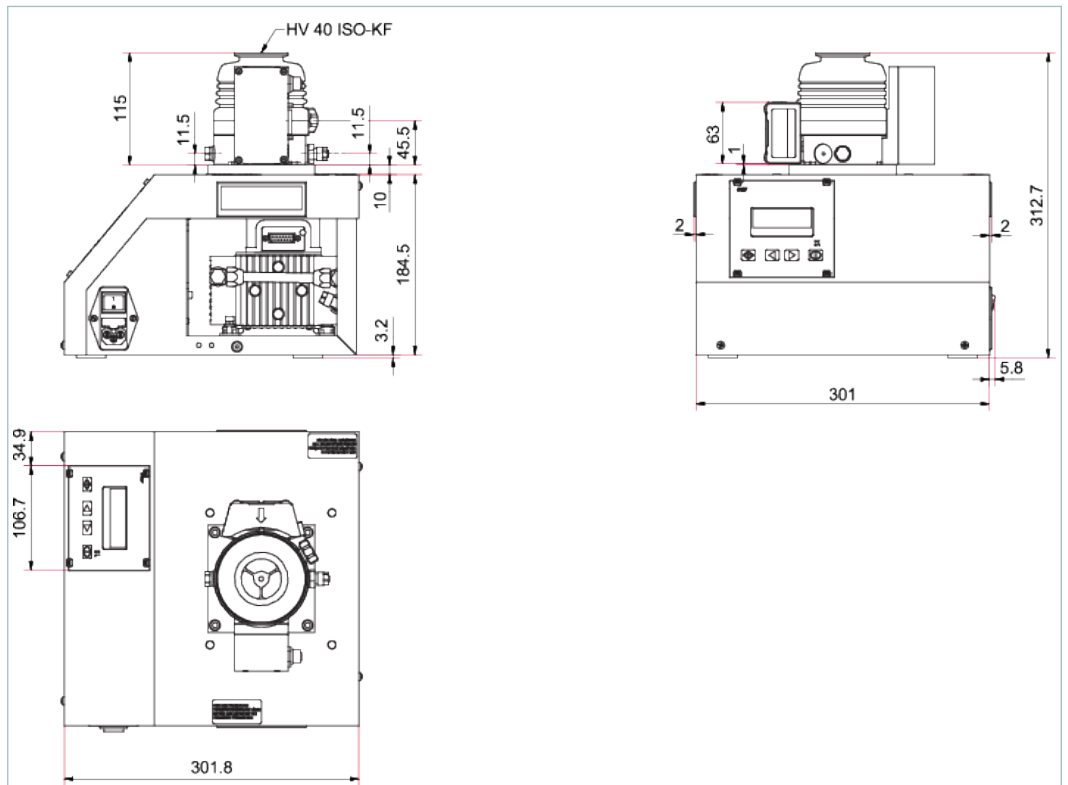


Similar Image

## HiCube 30 Eco, DN 40 ISO-KF, MVP 030-3, 100-240

- Compact high performance pumping station for all high and ultrahigh vacuum applications
- Plug and play solution with HiPace 30 turbopump and multistage diaphragm pump MVP 030-3
- Intermittent mode adapts the pumping station to the process conditions and saves up to 90% energy
- Easy integration of pressure gauges from the accessories

### Dimensions



Technical Data	HiCube 30 Eco, DN 40 ISO-KF, MVP 030-3, 100-240
Backing pump	MVP 030-3
Cooling method, standard	Air
Flange (in)	DN 40 ISO-KF
Flange (out)	Silencer, G1/8
Mains requirement: frequency (range)	50/60 Hz
Mains requirement: voltage	100-240 V
Pumping speed backing pump at 50 Hz	1.8 m <sup>3</sup> /h
Pumping speed for N <sub>2</sub>	22 l/s
Turbopump	HiPace 30
Type	Turbo pumping station
Ultimate pressure	< 1 · 10 <sup>-7</sup> hPa   < 7.5 · 10 <sup>-8</sup> Torr   < 1 · 10 <sup>-7</sup> mbar
Weight	13.3 kg   29.32 lb

Order number	
HiCube 30 Eco	PM S70 200 00