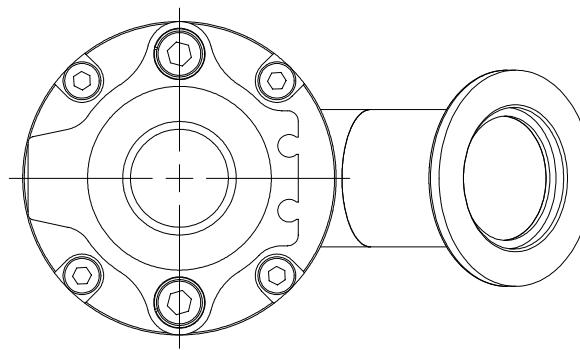
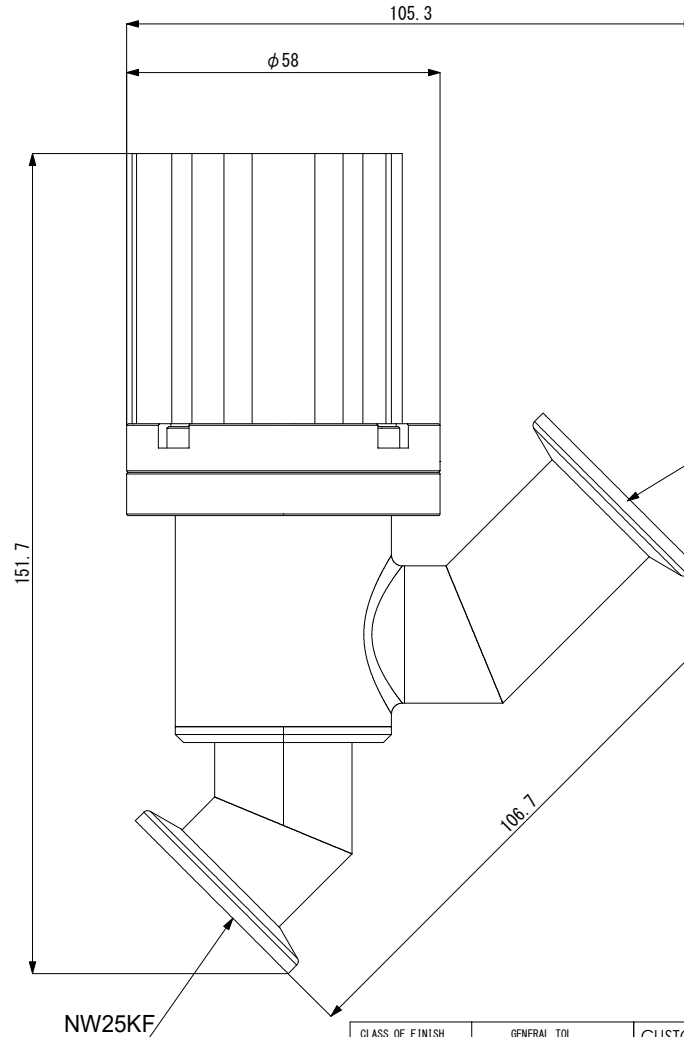
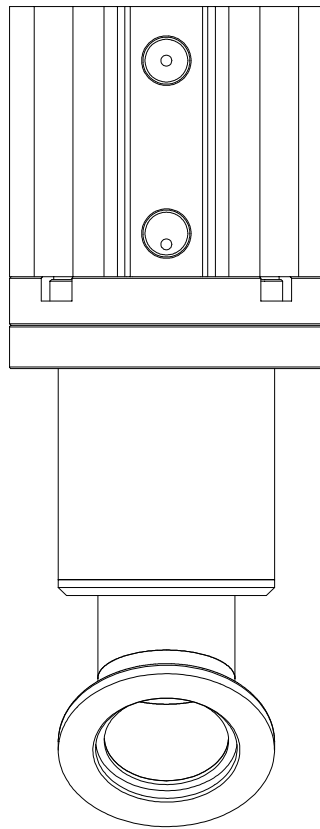


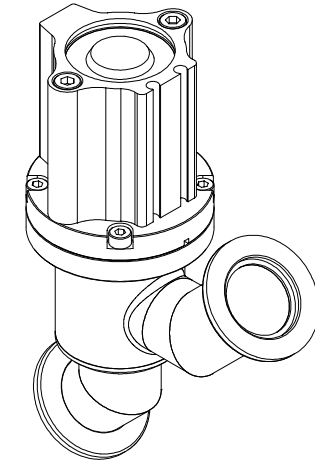
No.	REVISION	DATE	BY	APP'D
△				
△				
△				
△				



1. TYPE : NW25KF Inline valve
2. Materials :
 Body Casing : SUS304 (Finish : Electropolishing)
 Rod seal: WELDED BELLOWS (AM350 or SUS316L)
 Seat seal: VITON O-RING
 Actuator: Anodizing A6061
3. Operation : Pneumatic (Double acting)
4. Operation port size : Rc(PT) 1/8"
5. Air Pressure : 4-6 kgf/cm²
6. Differential pressure :
 Maximum 1 bar across valve seat
7. Leak Rate : $\geq 5.0 \times 10^{-9}$ std.cc/sec he.
8. Maximum Temperature :
 Vacuum side: Continuous use MAX ≤ 150
 Use instantaneous MAX <math>< 200</math>
 The actual operating temperature: <math>< 60</math>C
9. Position Sensor : Option
10. Option : configure to order
11. Warranty : 1,000,000 (AM350) / 300,000 (SUS316L) - 1year



NW25KF



CLASS OF FINISH		GENERAL TOL.		CUSTOMER :	
		RANGE	TOL.	DATE	
~	-				
▽	50 S	0.5 → 6	±0.05		
▽▽	12.5 S	6.0 → 30	±0.1	DRAWN	HONG. J.I
▽▽▽	3.2 S	30 → 120	±0.15	CHECKED	HONG. J.I
▽▽▽▽	0.8 S	120 → 315	±0.2		
▽▽▽▽▽		315 → 1000	±0.3		
▽▽▽▽▽▽		1000 → 2000	±0.5	APPROVED	

TITLE	
ANGLE VAVLE (NW25 / INLINE / BELLOWS SEAL)	
SUB. TITLE	
VALVE ASSEMBLY	
SIZE	DRAWING NO.
A4	KISDBK25F