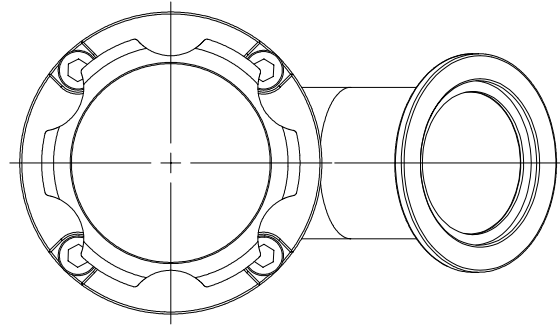
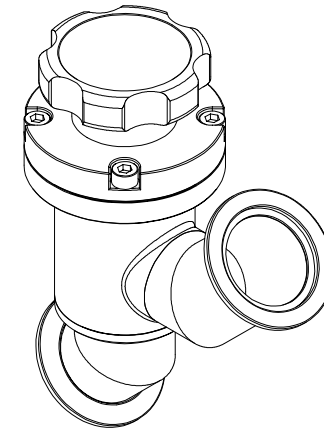
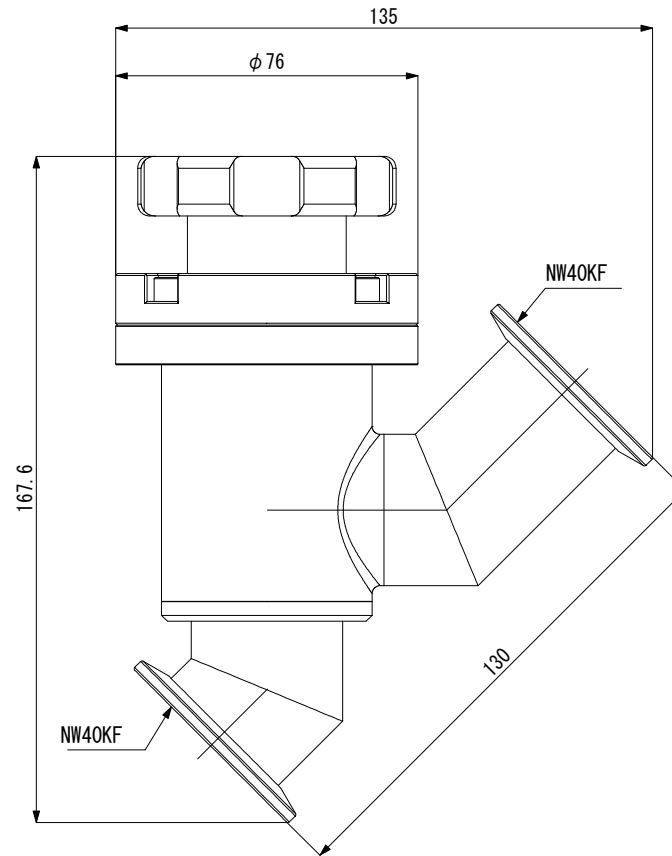
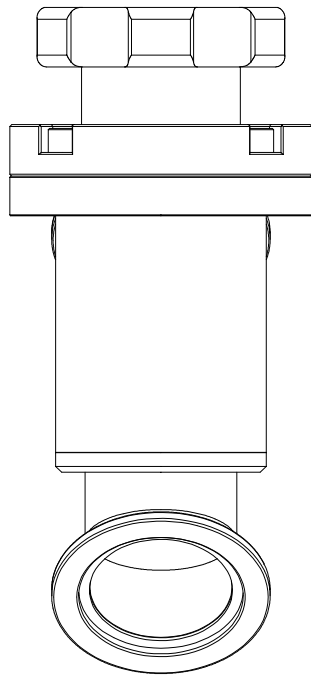


No.	REVISION	DATE	BY	APP'D
△				
△				
△				
△				



1. TYPE : NW40KF Inline valve
2. Materials :
 Body Casing : SUS304 (Finish : Electropolishing)
 Rod seal: WELDED BELLOWS (SUS316L)
 Seat seal: VITON O-RING
 Actuator: Anodizing A6061 HANDLE
3. Operation : MANUAL
4. Operation port size : NONE
5. Air Pressure : NONE
6. Differential pressure :
 Maximum 1 bar across valve seat
7. Leak Rate: $\geq 5.0 \times 10^{-4}$ std. cc/sec he.
8. Maximum Temperature :
 Vacuum side: Continuous use MAX <150
 Use instantaneous MAX <200
 The actual operating temperature: <60
9. Position Sensor : Option NONE
10. Option : configure to order



CLASS OF FINISH		GENERAL TOL.		CUSTOMER :		TITLE	
-	-	RANGE	TOL.	DATE	15.09.02	ANGLE VALVE (NW40/ INLINE / BELLOWS SEAL)	
▽	50 S	0.5 -> 6	±0.05	DRAWN		SUB. TITLE VALVE ASSEMBLY	
▽▽	12.5 S	6.0 -> 30	±0.1	CHECKED		SIZE	DRAWING NO.
▽▽▽	3.2 S	30 -> 120	±0.15	APPROVED		A4	K1SMBK40F
▽▽▽▽	0.8 S	120 -> 315	±0.2				
▽▽▽▽▽	0.4 S	315 -> 1000	±0.3				
▽▽▽▽▽▽	0.2 S	1000 -> 2000	±0.5				