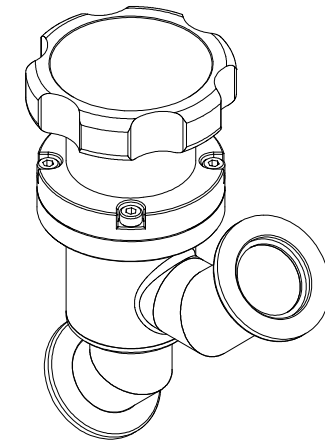
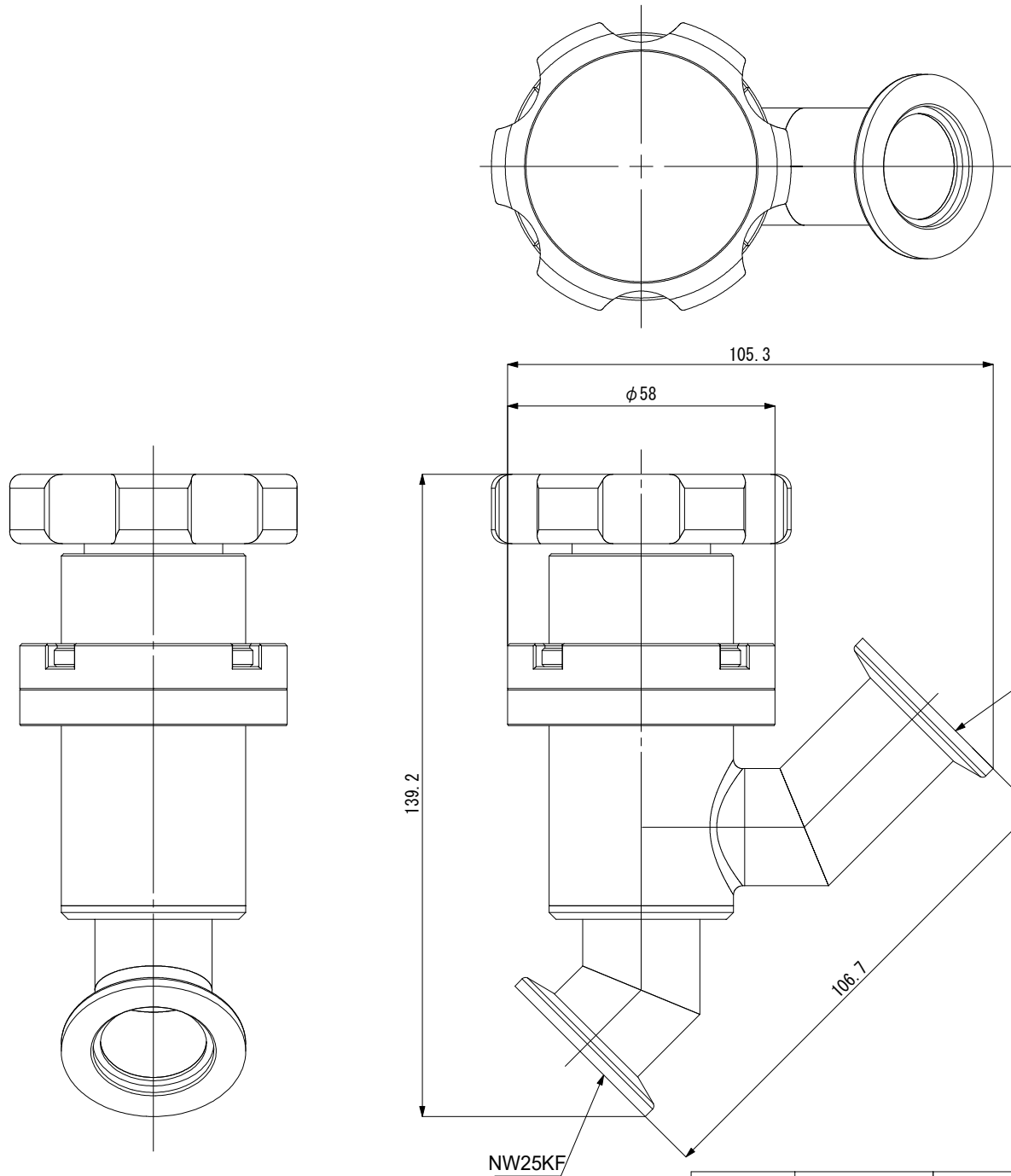


No.	REVISION	DATE	BY	APP'D
△				
△				
△				
△				

1. TYPE : NW25KF Inline valve
2. Materials :
 Body Casing : SUS304 (Finish : Electropolishing)
 Rod seal: WELDED BELLOWS (SUS316L)
 Seat seal: VITON O-RING
 Actuator: Anodizing A6061 HANDLE
3. Operation : MANUAL
4. Operation port size : NONE
5. Air Pressure : NONE
6. Differential pressure :
 Maximum 1 bar across valve seat
7. Leak Rate: $\geq 5.0 \times 10^{-9}$ std.cc/sec he.
8. Maximum Temperature :
 Vacuum side: Continuous use MAX < 150
 Use instantaneous MAX < 200
 The actual operating temperature: < 60 C
9. Position Sensor : Option NONE
10. Option : configure to order



CLASS OF FINISH	GENERAL TOL.		TOL.	CUSTOMER :	
	RANGE			DATE	
~	-				
▽	50 S	0.5 → 6	±0.05		
▽▽	12.5 S	6.0 → 30	±0.1	DRAWN	JANG. H.J
▽▽▽	3.2 S	30 → 120	±0.15	CHECKED	HONG. J.I
▽▽▽▽	0.8 S	120 → 315	±0.2		
▽▽▽▽▽		315 → 1000	±0.3		
▽▽▽▽▽▽		1000 → 2000	±0.5	APPROVED	

TITLE	
ANGLE VALVE (NW25 / INLINE / BELLOWS SEAL)	
SUB. TITLE	
VALVE ASSEMBLY	
SIZE	DRAWING NO.
A4	KISMBK25F