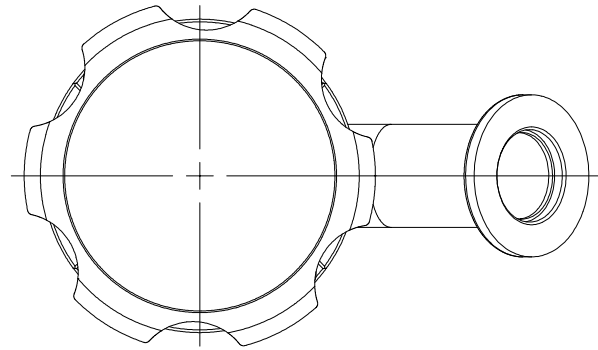
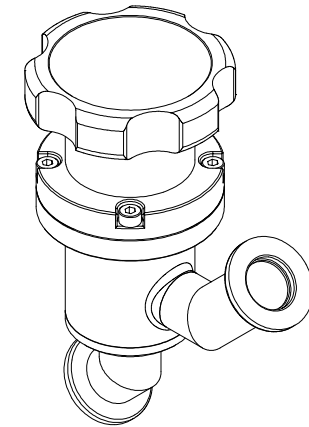
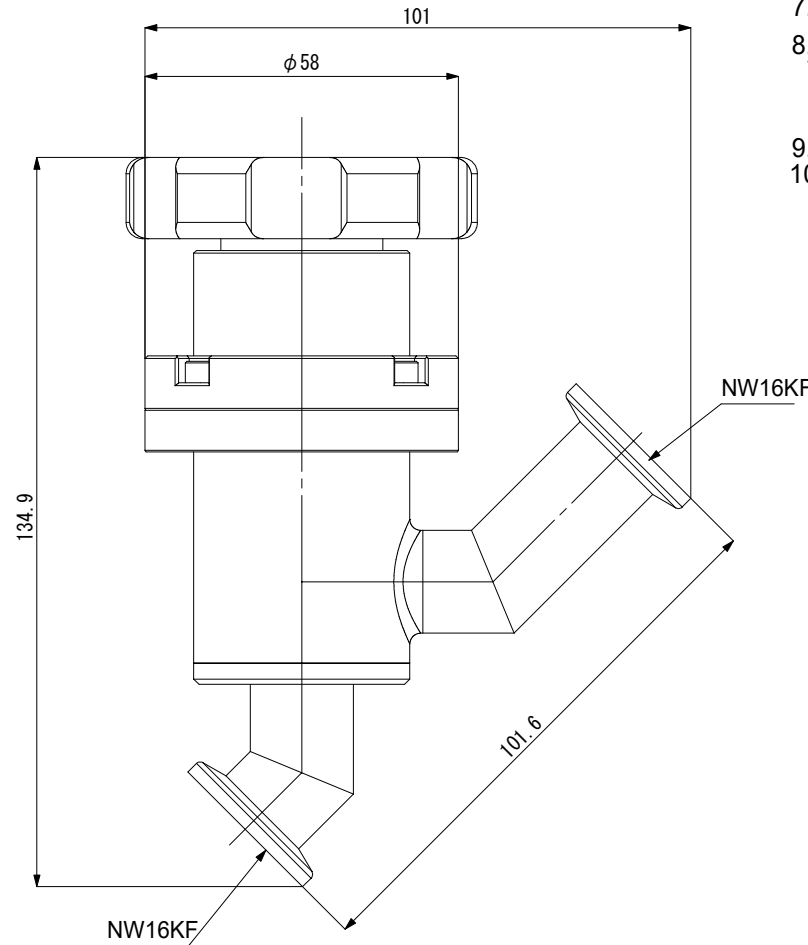
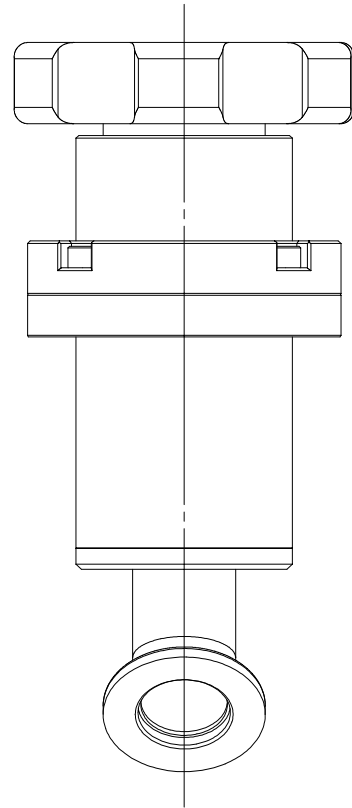


No.	REVISION	DATE	BY	APP'D
△				
△				
△				
△				



1. TYPE : NW16KF Inline valve
2. Materials :
 Body Casing : SUS304 (Finish : Electropolishing)
 Rod seal: WELDED BELLOWS (SUS316L)
 Seat seal: VITON O-RING
 Actuator: Anodizing A6061 HANDLE
3. Operation : MANUAL
4. Operation port size : NONE
5. Air Pressure : NONE
6. Differential pressure :
 Maximum 1 bar across valve seat
7. Leak Rate: $\geq 5.0 \times 10^{-7}$ std.cc/sec he.
8. Maximum Temperature :
 Vacuum side: Continuous use MAX < 150
 Use instantaneous MAX $< 200^{\circ}\text{C}$
 The actual operating temperature: $< 60^{\circ}\text{C}$
9. Position Sensor : Option NONE
10. Option : configure to order



CLASS OF FINISH		GENERAL TOL.		CUSTOMER :	
		RANGE	TOL.		
~	-	0.5 -> 6	± 0.05	DATE	2015.09.03
▽	50 S	6.0 -> 30	± 0.1	DRAWN	HONG. J.I
▽▽	12.5 S	30 -> 120	± 0.15	CHECKED	HONG. J.I
▽▽▽	3.2 S	120 -> 315	± 0.2	APPROVED	
▽▽▽▽	0.8 S	315 -> 1000	± 0.3		
▽▽▽▽▽		1000 -> 2000	± 0.5		

TITLE	
ANGLE VALVE (NW16 / INLINE / BELLOWS SEAL)	
SUB. TITLE	
VALVE ASSEMBLY	
SIZE	DRAWING NO.
A4	KISMBK16F