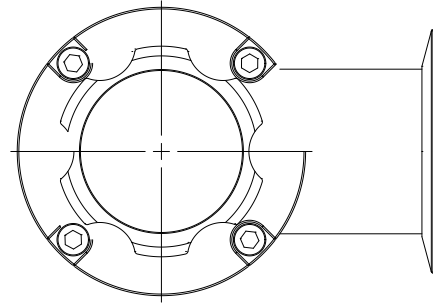
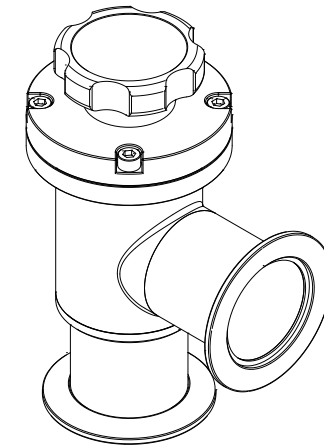
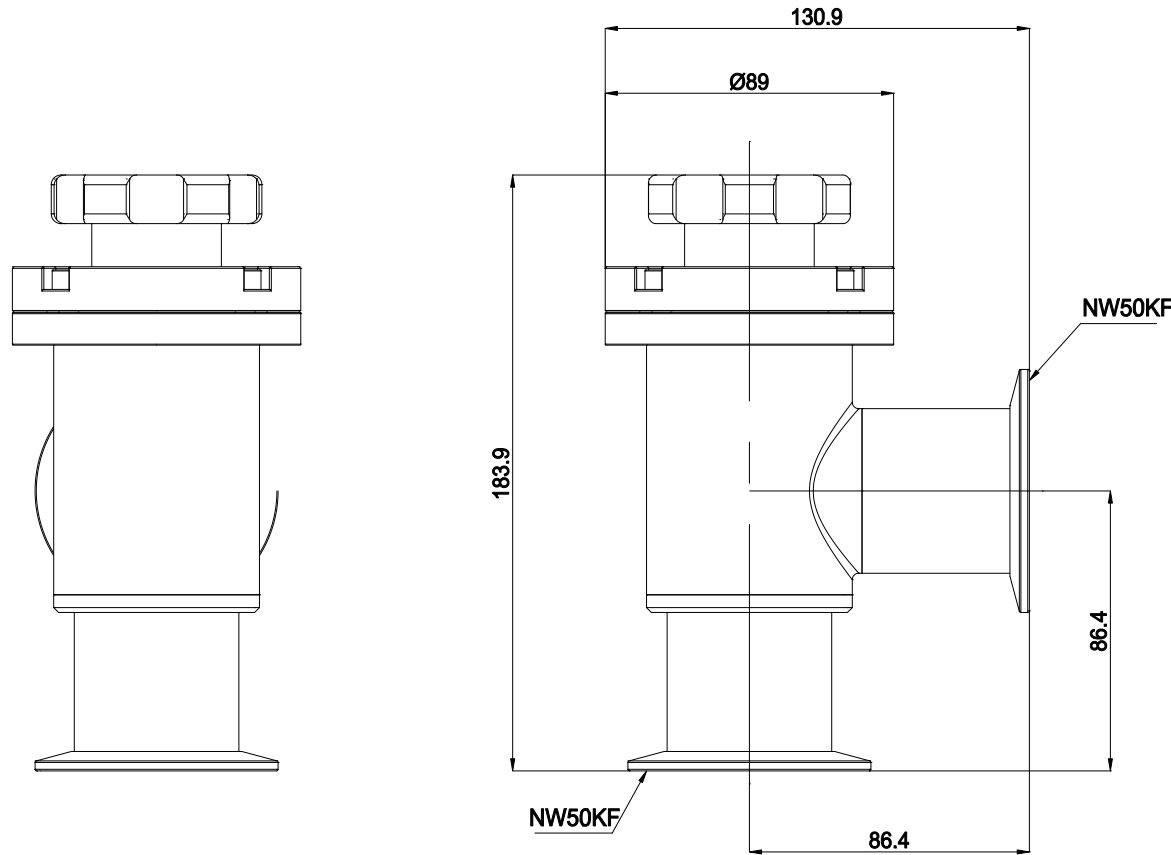


No.	REVISION	DATE	BY	APP'D
△				
△				
△				
△				



1. TYPE : NW50KF Right Angle valve
2. Materials :
 Body Casing: SUS 304 (Finish : Electropolishing)
 Rod seal: Welded Bellows (SUS316L)
 Seat seal: O-RING (VITON)
 Actuator: Anodizing A6061
3. Operation : Manual
4. Operation port size : None
5. Air Pressure : None
6. Differential pressure : Maximum 1 bar across valve seat
7. Leak Rate: $\geq 5.0 \times 10^{-6}$ / std.cc/sec
8. Maximum Temperature :
 Vacuum side: Continuous use MAX < 150
 Use instantaneous MAX < 200
 The actual operating temperature: < 60 C
9. Position Sensor : -
10. Option : configure to order



CLASS OF FINISH		GENERAL TOL.		CUSTOMER :		TITLE	
-	-	RANGE	TOL.			ANGLE VALVE (NW50 / Manual)	
▽	50 S	0.5 -> 6	±0.05	DATE		SUB. TITLE	
▽▽	12.5 S	6.0 -> 30	±0.1	DRAWN	HONG. J.I	VALVE ASSEMBLY	
▽▽▽	3.2 S	30 -> 120	±0.15	CHECKED	HONG. J.I	SIZE DRAWING NO.	
▽▽▽▽	0.8 S	120 -> 315	±0.2	APPROVED		A4	KASMBK50F
⊕		315 -> 1000	±0.3				
⊕		1000 -> 2000	±0.5				