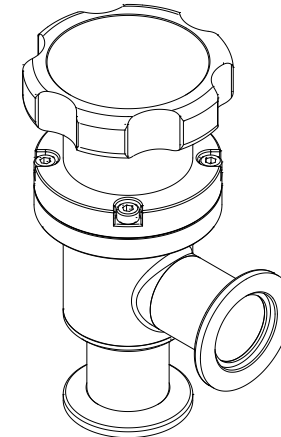
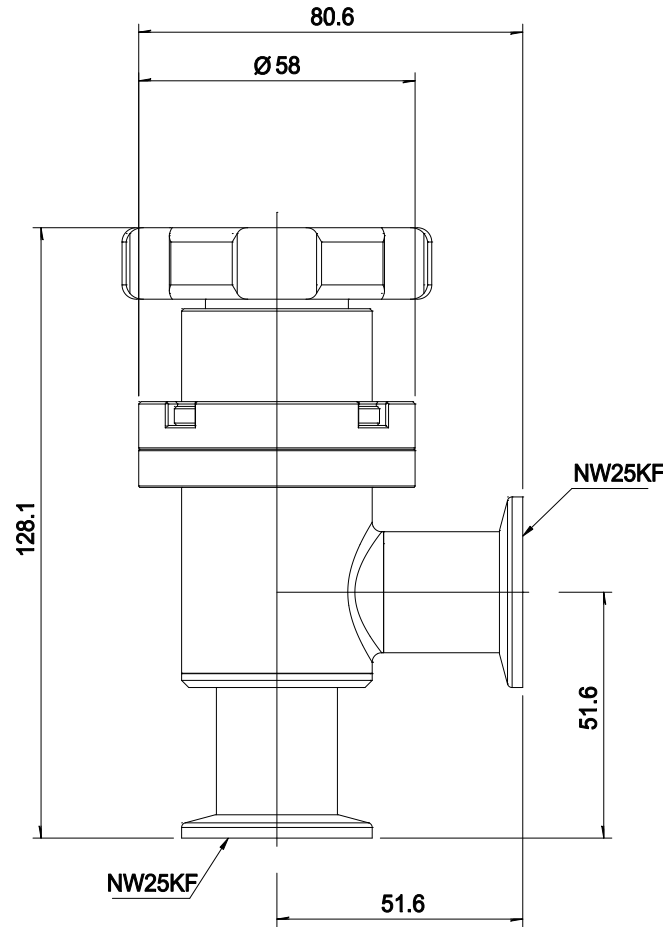
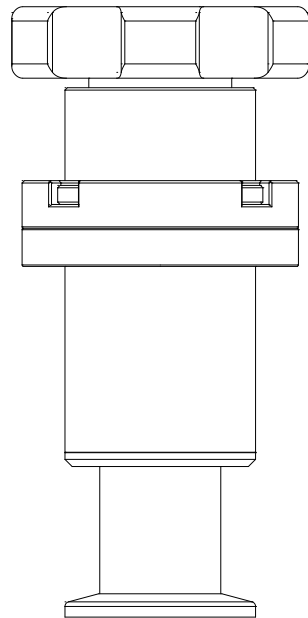


No.	REVISION	DATE	BY	APP'D
△				
△				
△				
△				

1. TYPE : NW25KF Right Angle valve
2. Materials :  
 Body Casing: SUS 304 (Finish : Electropolishing )  
 Rod seal: Welded Bellows (SUS316L)  
 Seat seal: O-RING (VITON )  
 Actuator: Anodizing A6061
3. Operation : Manual
4. Operation port size : None
5. Air Pressure : None
6. Differential pressure : Maximum 1 bar across valve seat
7. Leak Rate:  $\geq 5.0 \times 10^{-6}$  / std.cc/sec
8. Maximum Temperature :  
 Vacuum side: Continuous use MAX <math>\leq 50</math>  
 Use instantaneous MAX <math>< 200</math>  
 The actual operating temperature: <math>< 60</math>
9. Position Sensor : -
10. Option : configure to order



CLASS OF FINISH		GENERAL TOL.		CUSTOMER :		TITLE	
-	-	RANGE	TOL.	DATE		ANGLE VALVE (NW25 / Manual)	
▽	50 S	0.5 -> 6	±0.05			SUB. TITLE	
▽▽	12.5 S	6.0 -> 30	±0.1			VALVE ASSEMBLY	
▽▽▽	3.2 S	30 -> 120	±0.15	DRAWN	HONG. J.I	SIZE	DRAWING NO.
▽▽▽▽	0.8 S	120 -> 315	±0.2	CHECKED	HONG. J.I	A4	KASMBK25F
⊕		315 -> 1000	±0.3	APPROVED			
		1000 -> 2000	±0.5				