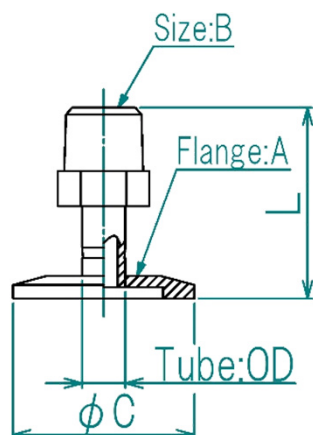


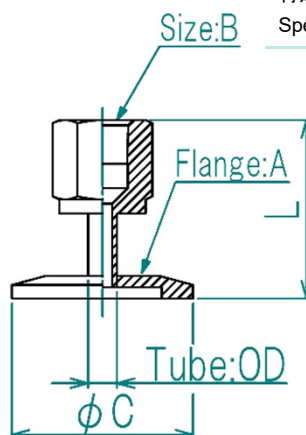


外觀寸法図

TYPE:Male



TYPE:Female



材質：フランジ/SUS304 継手/SUS316
Heリークテスト実施。
NPTネジをご希望の場合はPT⇒NPTに変更
してください。

Material: Flange/SUS304 Fitting/SUS316.
Helium leak tested.

Product Data.	材質 SUS304
	Material SUS304.
	受注生産品
	Made to order.
	特殊寸法製作
	Special sizes are available to order.

単位 (mm)

フランジA Flange A	ネジサイズB Screw size B	Tube O.D.	TYPE	製品コード Product code	φC	L
NW16	PT1/4"	6.35	Male	KFB16-PT1/4MA	30	39.5
			Female	KFB16-PT1/4FA	30	39.5
	PT3/8"	9.53	Male	KFB16-PT3/8MA	30	42.0
			Female	KFB16-PT3/8FA	30	43.0
	PT1/2"	12.7	Male	KFB16-PT1/2MA	30	53.0
			Female	KFB16-PT1/2FA	30	54.0
NW25	PT1/4"	6.35	Male	KFB25-PT1/4MA	40	39.5
			Female	KFB25-PT1/4FA	40	39.5
	PT3/8"	9.53	Male	KFB25-PT3/8MA	40	42.0
			Female	KFB25-PT3/8FA	40	43.0
	PT1/2"	12.7	Male	KFB25-PT1/2MA	40	53.0
			Female	KFB25-PT1/2FA	40	54.0
NW40	PT1/4"	6.35	Male	KFB40-PT1/4MA	55	39.5
			Female	KFB40-PT1/4FA	55	39.5
	PT3/8"	9.53	Male	KFB40-PT-3/8MA	55	42.0
			Female	KFB40-PT3/8FA	55	43.0
	PT1/2"	12.7	Male	KFB40-PT1/2MA	55	53.0
			Female	KFB40-PT1/2FA	55	54.0
NW50	PT1/4"	6.35	Male	KFB50-PT1/4MA	75	39.5
			Female	KFB50-PT1/4FA	75	39.5
	PT3/8"	9.35	Male	KFB50-PT3/8MA	75	42.0
			Female	KFB50-PT3/8FA	75	43.0
	PT1/2"	12.7	Male	KFB50-PT1/2MA	75	53.0
			Female	KFB50-PT1/2FA	75	54.0