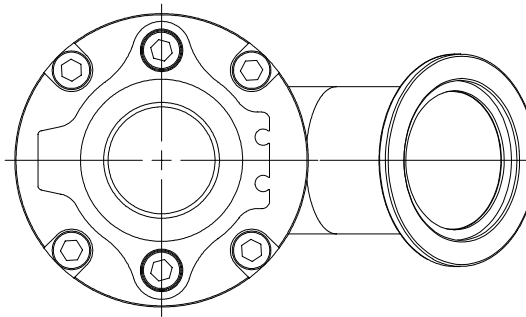
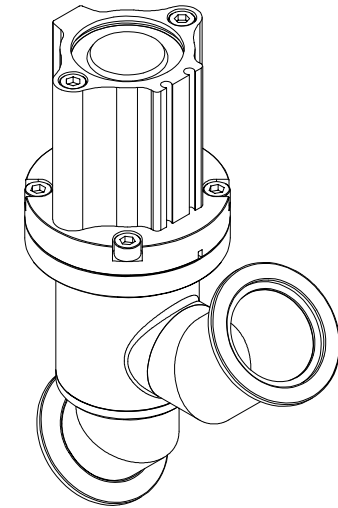
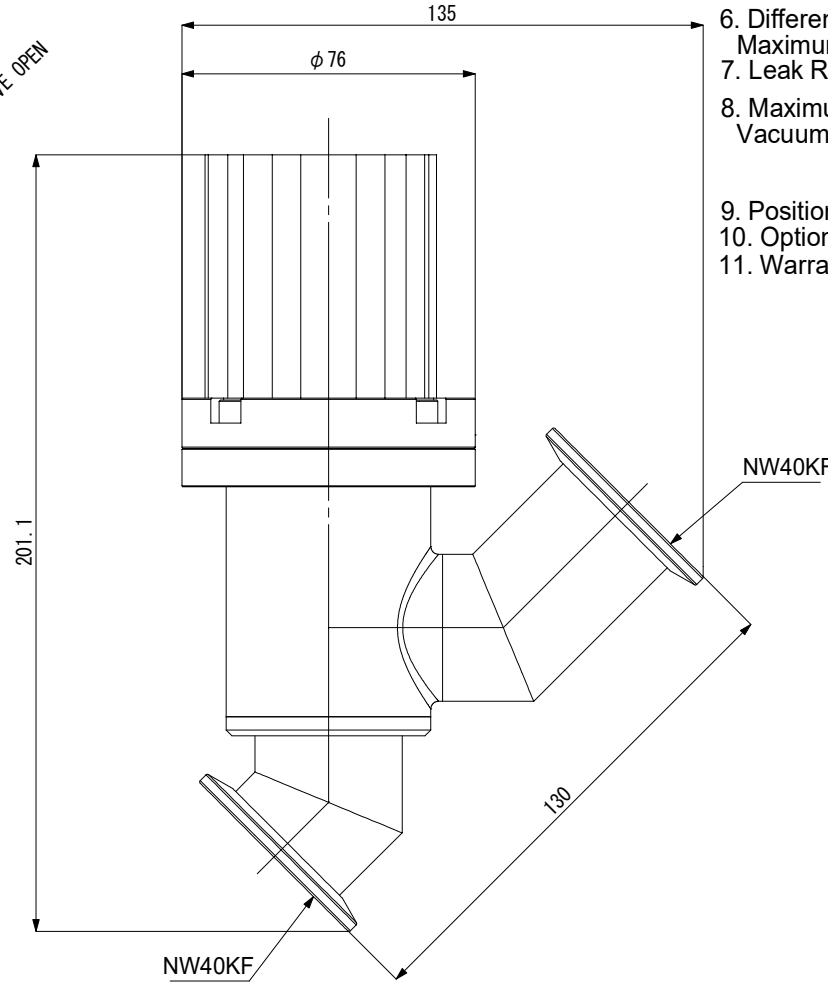
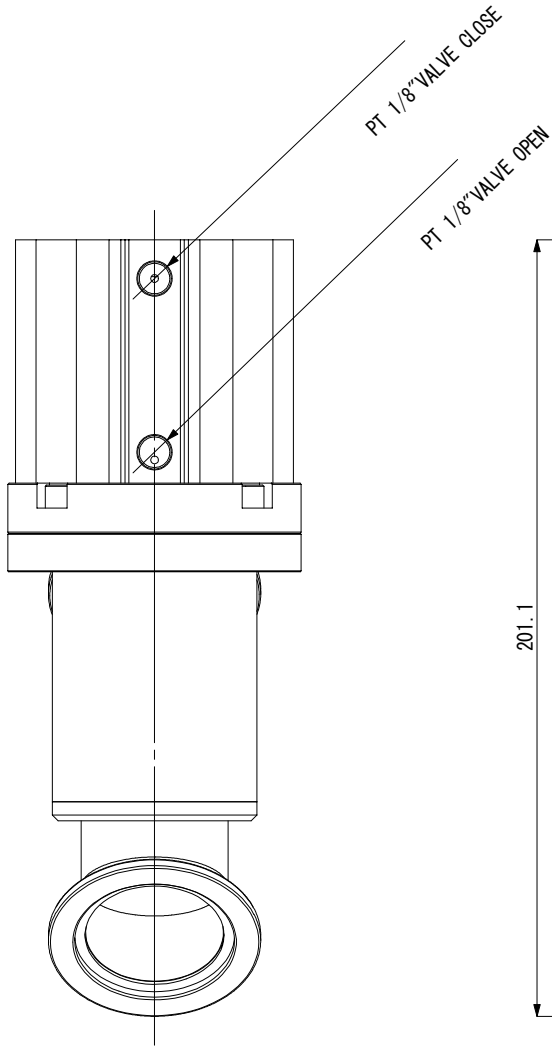
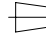


No.	REVISION	DATE	BY	APP'D
△				
△				
△				
△				



1. TYPE : NW40KF Inline valve
2. Materials :
 Body Casing : SUS304 (Finish : Electropolishing)
 Rod seal: WELDED BELLOWS (AM350 or SUS316L)
 Seat seal: VITON O-RING
 Actuator: Anodizing A6061
3. Operation : Single acting
4. Operation port size : Rc(PT) 1/8"
5. Air Pressure : 4-6 kgf/cm²
6. Differential pressure :
 Maximum 1 bar across valve seat
7. Leak Rate: $\geq 5.0 \times 10^{-6}$ std.cc/sec he.
8. Maximum Temperature :
 Vacuum side: Continuous use MAX < 150
 Use instantaneous MAX < 200
 The actual operating temperature: < 60 C
9. Position Sensor : Option
10. Option : configure to order
11. Warranty : 1,000,000 (AM350) / 300,000 (SUS316L) - 1year



CLASS OF FINISH	GENERAL TOL.	
	RANGE	TOL.
-	-	-
▽	50 S 0.5 → 6	±0.05
▽▽	12.5 S 6.0 → 30	±0.1
▽▽▽	3.2 S 30 → 120	±0.15
▽▽▽▽	0.8 S 120 → 315	±0.2
	315 → 1000	±0.3
	1000 → 2000	±0.5

CUSTOMER :	
DATE	
DRAWN	HONG. J.I
CHECKED	HONG. J.I
APPROVED	

TITLE	
ANGLE VALVE NW40 / INLINE / BELLOWS SEAL)	
SUB. TITLE	
VALVE ASSEMBLY	
SIZE	DRAWING NO.
A4	KISDBK40F