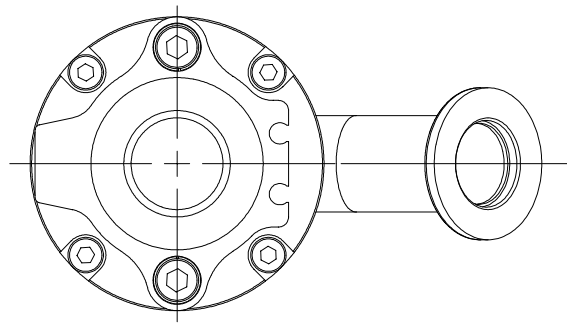
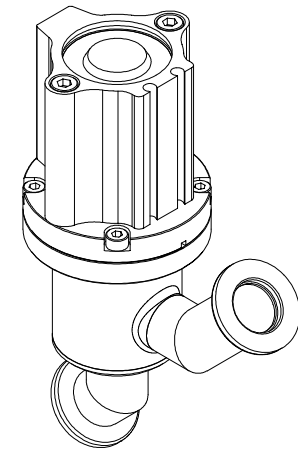
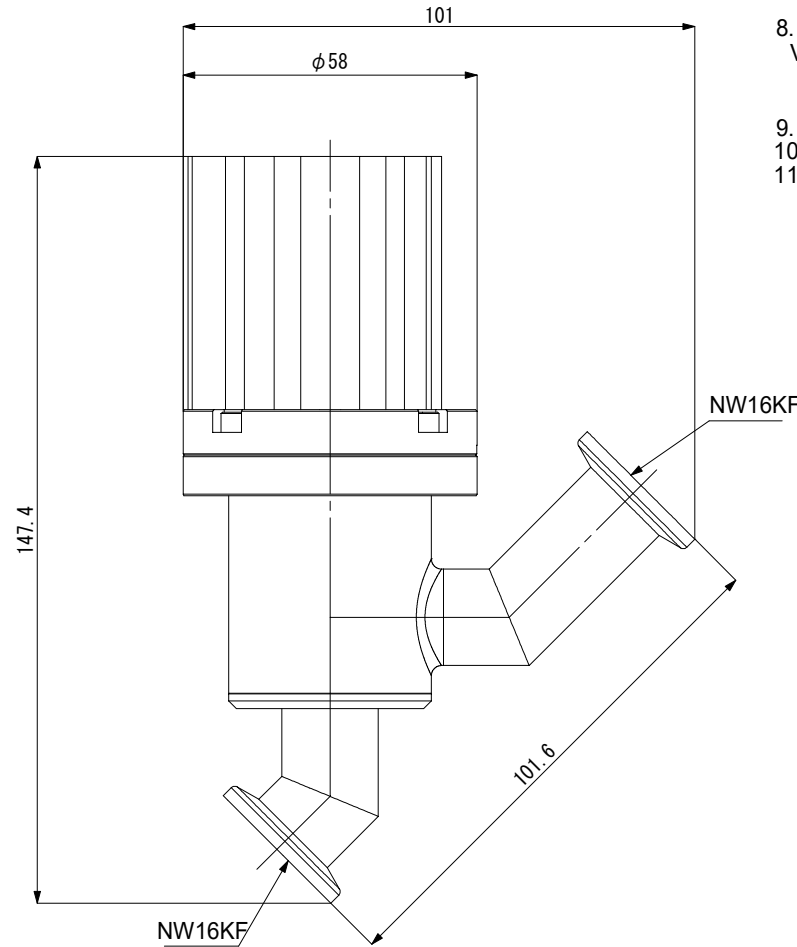
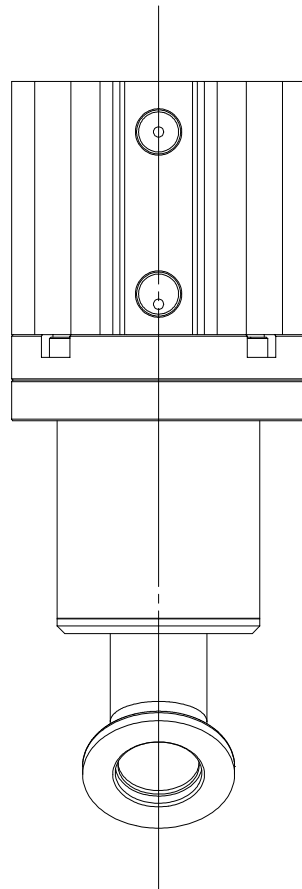


No.	REVISION	DATE	BY	APP'D
△				
△				
△				
△				



1. TYPE : NW16KF Inline valve
2. Materials :  
 Body Casing : SUS304 (Finish : Electropolishing)  
 Rod seal: WELDED BELLOWS (AM350 or SUS316L)  
 Actuator: Anodizing A6061
3. Operation : Single acting
4. Operation port size : Rc(PT) 1/8"
5. Air Pressure : 4-6 kgf/ cm<sup>2</sup>
6. Differential pressure :  
 Maximum 1 bar across valve seat
7. Leak Rate :  $\geq 5.0 \times 10^{-7}$  std.cc/sec he.
8. Maximum Temperature :  
 Vacuum side: Continuous use MAX <math>\leq 50^{\circ}\text{C}</math>  
 Use instantaneous MAX <math>< 20^{\circ}\text{C}</math>  
 The actual operating temperature: <math>< 60^{\circ}\text{C}</math>
9. Position Sensor : Option
10. Option : configure to order
11. Warranty : 1,000,000 (AM350) / 300,000 (SUS316L) - 1y



CLASS OF FINISH		GENERAL TOL.		CUSTOMER :	
		RANGE	TOL.		
-	-			DATE	
▽	50 S	0.5 → 6	±0.05	DRAWN	HONG. J.I
▽▽	12.5 S	6.0 → 30	±0.1	CHECKED	HONG. J.I
▽▽▽	3.2 S	30 → 120	±0.15	APPROVED	
▽▽▽▽	0.8 S	120 → 315	±0.2		
▽▽▽▽▽		315 → 1000	±0.3		
▽▽▽▽▽▽		1000 → 2000	±0.5		

TITLE	
ANGLE VALVE (NW16 / INLINE / BELLOWS SEAL)	
SUB. TITLE	
VALVE ASSEMBLY	
SIZE	DRAWING NO.
A4	KISDBK16F