

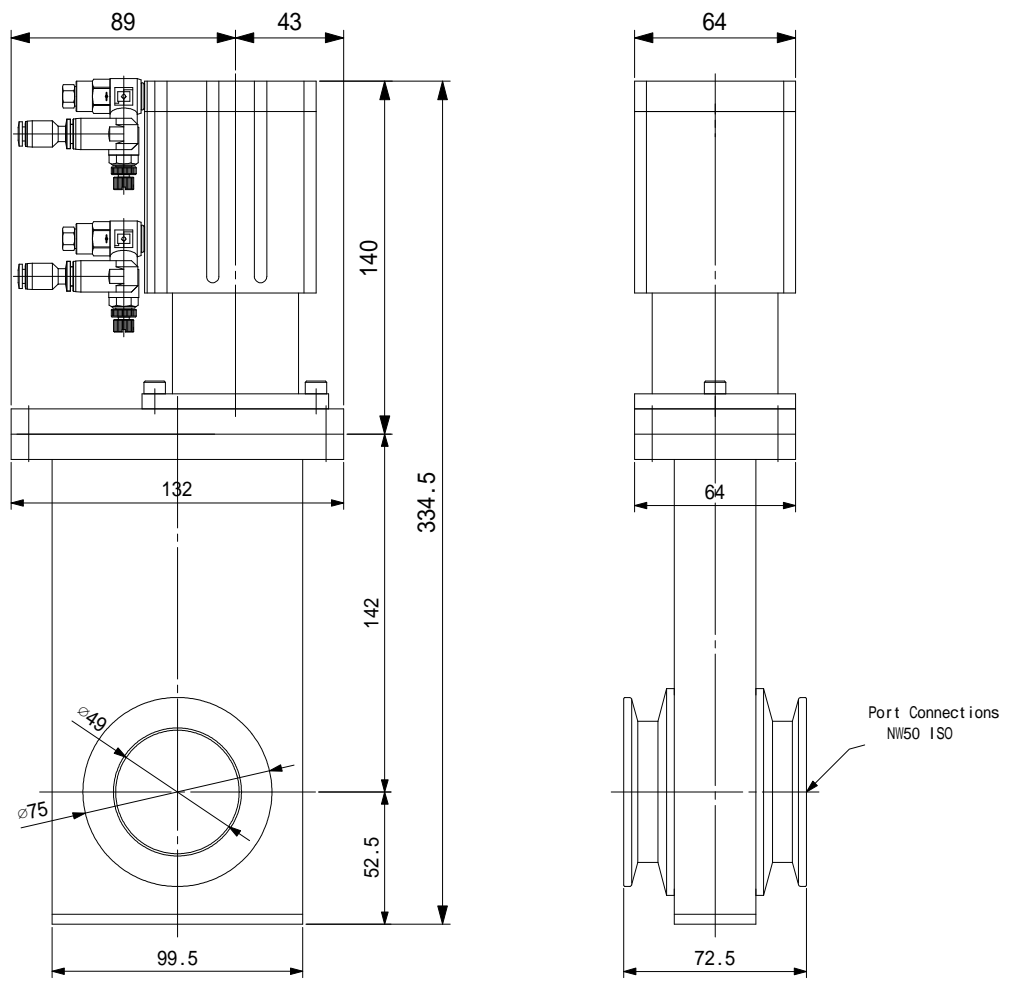
5

4

3

2

1



\* CO.2  
 \* RO.3  
 \* Scratch

		가			
~	-	0.5	6	$\pm 0.05$	$\pm 0.1$
$\nabla$	50S	6	30	$\pm 0.1$	$\pm 0.2$
$\nabla\nabla$	12.5S	30	120	$\pm 0.15$	$\pm 0.3$
$\nabla\nabla\nabla$	3.2S	120	400	$\pm 0.2$	$\pm 0.5$
$\nabla\nabla\nabla\nabla$	0.8S	400	1000	$\pm 0.3$	$\pm 0.8$
		1000	2000	$\pm 0.5$	$\pm 1.2$
				C=0.2 0.3	
				R=0.2 0.3	

NW 50 PNEUMATIC				STS304	1	
2017.08		1 / 3	MM	J.H KANG		A
				2" CIRCULAR		
				GV2-000-000		


5

4

3

2

1