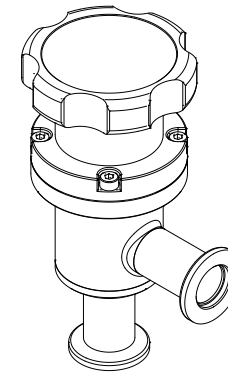
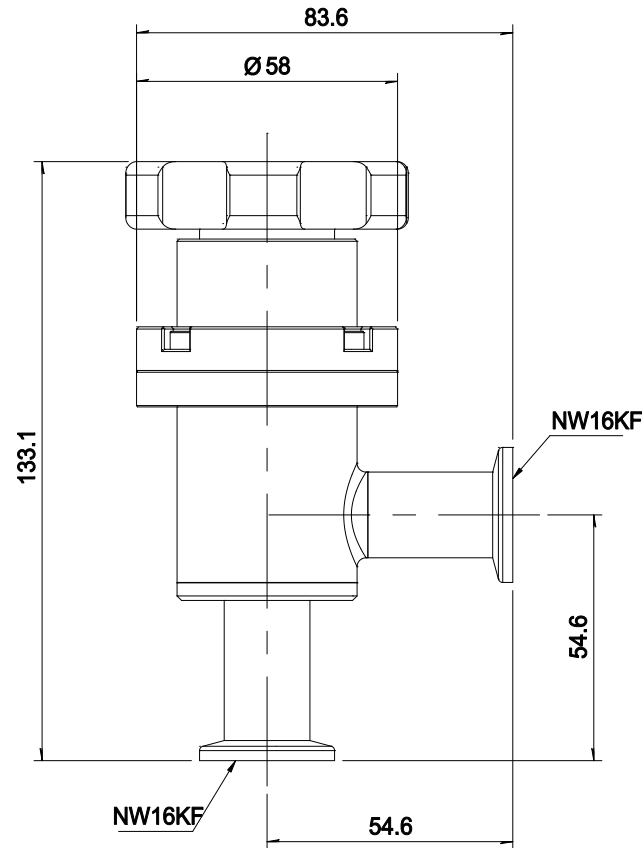
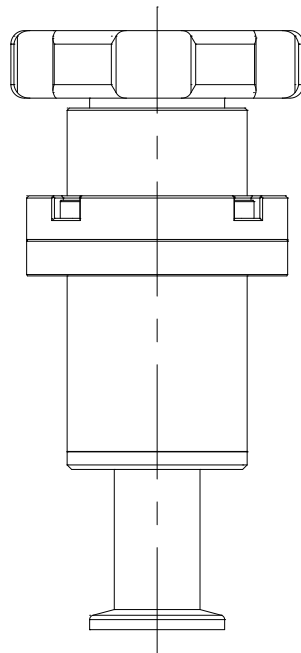
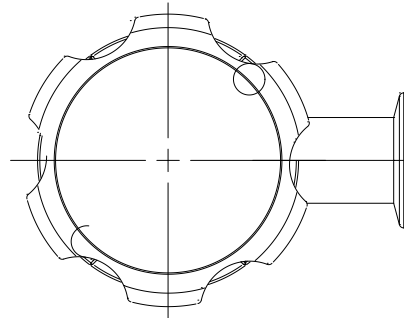


No.	REVISION	DATE	BY	APP'D
△				
△				
△				
△				



1. TYPE : NW16KF Right Angle valve
2. Materials :
 Body Casing: SUS 304 (Finish : Electropolishing)
 Rod seal: Welded Bellows (SUS316L)
 Seat seal: O-RING (VITON)
 Actuator: Anodizing A6061
3. Operation : Manual
4. Operation port size : None
5. Air Pressure : None
6. Differential pressure : Maximum 1 bar across valve seat
7. Leak Rate: $\geq 5.0 \times 10^{-6}$ / std.cc/sec
8. Maximum Temperature :
 Vacuum side: Continuous use MAX ≤ 150
 Use instantaneous MAX <math>< 200</math>
 The actual operating temperature: <math>< 60C</math>
9. Position Sensor : -
10. Option : configure to order

CLASS OF FINISH		GENERAL TOL.		CUSTOMER :		TITLE	
-	-	RANGE	TOL.	DATE		ANGLE VALVE (NW16 / Manual)	
▽	50 S	0.5 -> 6	±0.05			SUB. TITLE	
▽▽	12.5 S	6.0 -> 30	±0.1			VALVE ASSEMBLY	
▽▽▽	3.2 S	30 -> 120	±0.15	DRAWN	HONG. J.I	SIZE	DRAWING NO.
▽▽▽▽	0.8 S	120 -> 315	±0.2	CHECKED	HONG. J.I	A4	KASMBK16F
▽▽▽▽▽		315 -> 1000	±0.3	APPROVED			
		1000 -> 2000	±0.5				