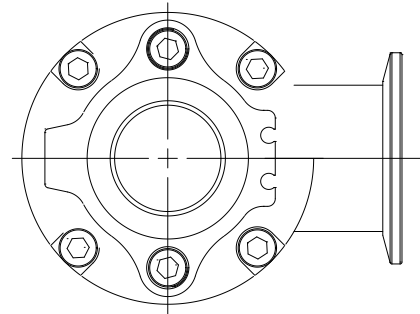
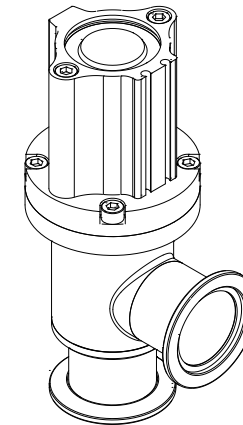
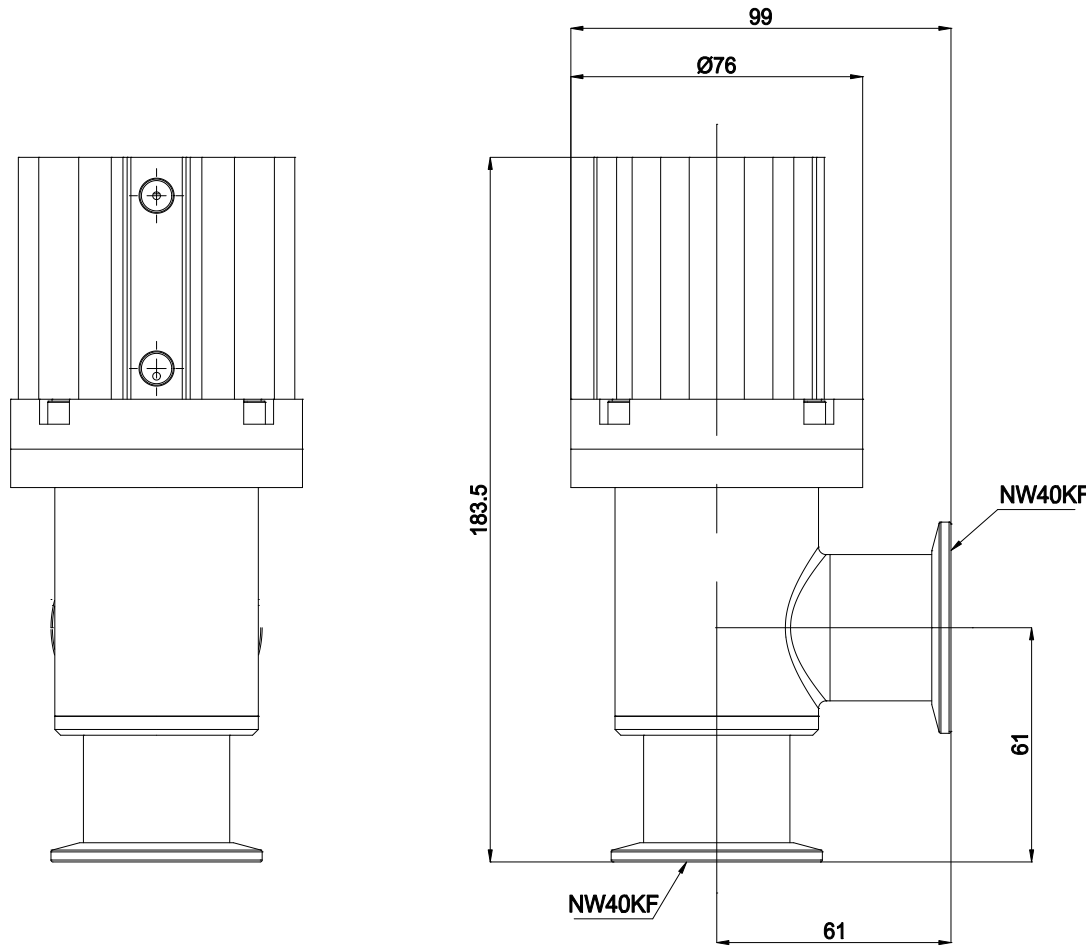


No.	REVISION	DATE	BY	APP'D
△				
△				
△				
△				



1. TYPE : NW40KF Right Angle valve
2. Materials :
 Body Casing: SUS 304 (Finish : Electropolishing)
 Rod seal: WELDED BELLOWS (AM350 or SUS316L)
 Seat seal: O-RING (VITON)
 Actuator: Anodizing A6061
3. Operation : Pneumatic Actuator
4. Operation port size : Rc(PT) 1/8"
5. Air Pressure : 4-6kgf/cm²
6. Differential pressure : Maximum 1 bar across valve seat
7. Leak Rate : $\geq 5.0 \times 10^{-6}$ / std.cc/sec
8. Maximum Temperature :
 Vacuum side : Continuous use MAX ≤ 150
 Use instantaneous MAX <math>< 200</math>
 The actual operating temperature: <math>< 60</math>C
9. Position Sensor : Dual Sensor
10. Option : configure to order
11. Warranty : 1,000,000 (AM350) / 300,000 (SUS316L) - 1year



CLASS OF FINISH		GENERAL TOL.		CUSTOMER :		TITLE	
-	-	RANGE	TOL.	DATE		ANGLE VALVE (NW40 / PNEUMATIC / BELLOWS SEAL)	
▽	50 S	0.5 -> 6	±0.05			SUB. TITLE	
▽▽	12.5 S	6.0 -> 30	±0.1	DRAWN	HONG. J.I	VALVE ASSEMBLY	
▽▽▽	3.2 S	30 -> 120	±0.15	CHECKED	HONG. J.I	SIZE	DRAWING NO.
▽▽▽▽	0.8 S	120 -> 315	±0.2	APPROVED		A4	KASDBK40F
▽▽▽▽▽		315 -> 1000	±0.3				
▽▽▽▽▽▽		1000 -> 2000	±0.5				